



# SERIES 2061 - FLOW SENSORS

FOR WATER VOLUMES UP TO 15 L/MIN



## PRODUCT FEATURES

- Robust flywheel flow meter for water with electrical pulse output
- Wide measuring range with 2 - 15 l/min
- Scanning by magnetic field sensor
- Enables hot/cold, water and energy saving as well as quality improvement
- Excellent linearity
- EMC protected

## ON REQUEST

- Hall or reed contact
- Optimized measuring ranges for different application areas
- Optional: different pulse/liter ratios
- Increased life endurance
- Spray water protection for electronics


Medium	water
Measuring range	2 ... 15 l/min
Life endurance	200 m <sup>3</sup>
Bursting pressure	8 bar
Accuracy / tolerance	2 ... 4 l/min ± 5%, 4 - 15 l/min ±3%
Material housing	POM
Ambient temperature	+5 °C ... +70 °C
Sensor description	pressure drop at 10 l/min: < 0.4 bar
Power supply	3.8 ... 24 V DC (for Hall sensors variants)
Output current	0 ... 20 mA
Output signal	200 ± 3% pulses / liter
Pulse	min. pulse width 1 ms break ratio (Hall sensor) symmetrical
Approval marks	

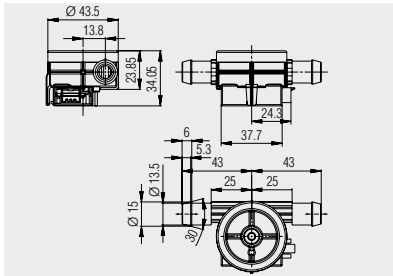


# SERIES 2061 - FLOW SENSORS

FOR WATER VOLUMES UP TO 15 L/MIN

	Power supply	Terminal type	Terminal description	Miscellaneous	Stock version
2061.1201	12 V DC		SNAP 2.5 hose nozzle	customer-specific	
2061.1202	12 V DC		RAST 2.5 hose nozzle		





Snap fastening SNAP 2.5 hose nozzle

Basic type 2061

ROCKERSWITCHES

PUSHBUTTON SWITCHES

TOGGLE SWITCHES

SLIDE SWITCHES

ROTARY SWITCHES

FOOT SWITCHES

TACT AND KEY SWITCHES

SNAP-ACTION SWITCHES

MICRO-SIGNAL SWITCHES

SENSORS

ECO

PUSH'N'DRIVE